

FEATURES

- 80A/100A/120A switching capability
- 1C and 2C configurations
- 2.5KV Dielectric strength between coil and contacts



CONTACT DATA

Contact arrangement	1A/1B/1C 2A/2B/2C
Contact resistance	100m Ω (at 1A 6VDC)
Contact rating	1C: 80A/250VAC/30VDC 100A/250VAC/30VDC 120A/250VAC/30VDC 2C: 80A/250VAC/30VDC 100A/250VAC/30VDC 120A/250VAC/30VDC
Contact material	Ag Alloy

CHARACTERISTICS

Insulation resistance	1000M Ω 500VDC
Dielectric strength	Between Coil & contact: 2500VAC,1min Between open contact: 1200VAC,1min
Operate time	25 ms
Release time	25 ms
Vibration resistance	10-55Hz, DA 1mm
Shock resistance	10G(Half-sine shock pulse 11ms)
Humidity	45% ~ 75% RH
Ambient Temp.	-25 $^{\circ}$ C ~ +55 $^{\circ}$ C
Electrical life	1 \times 10 ⁵ ops
Mechanical life	1 \times 10 ⁷ ops

COIL DATA

Rated voltage (VDC)	Pick-up Voltage VDC (Max.)	Drop-out Voltage VDC (Min.)	Rated Current (A \pm 10%)	Coil resistance (Ω \pm 10%)	Power (W)
12	9	1.2	0.167	72	2
24	18	2.4	0.083	288	2
48	36	4.8	0.042	1150	2
110	82.5	11	0.018	6000	2
220	165	22	0.009	12688	2

COIL DATA

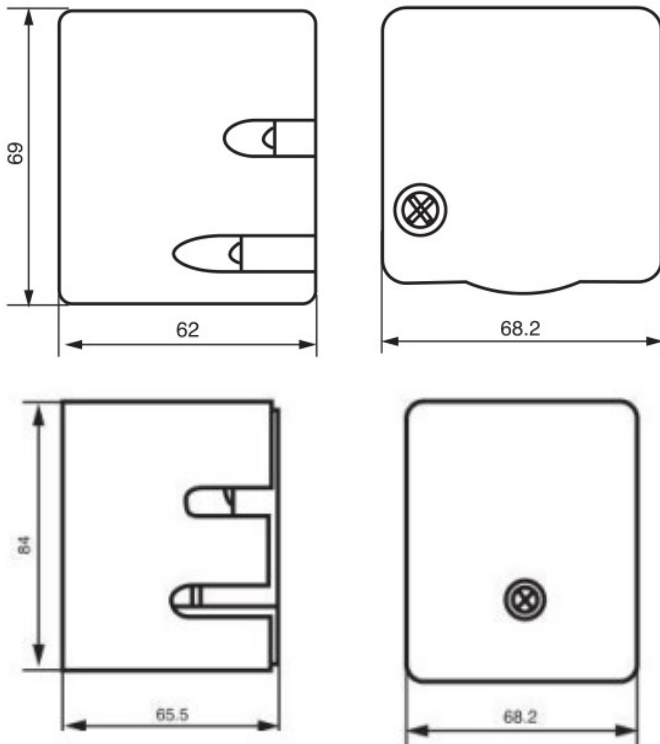
Rated voltage (VAC)	Pick-up Voltage VAC (Max.)	Drop-out Voltage VAC (Min.)	Rated Current (A \pm 10%)	Coil resistance (Ω \pm 10%)	Power (VA)
12	9.6	3.6	0.65	36	3.5
24	19.2	7.2	0.325	144	3.5
220/240	176	66	0.035	12000	3.5
380	304	114	0.02	35800	3.5

ORDERING INFORMATION

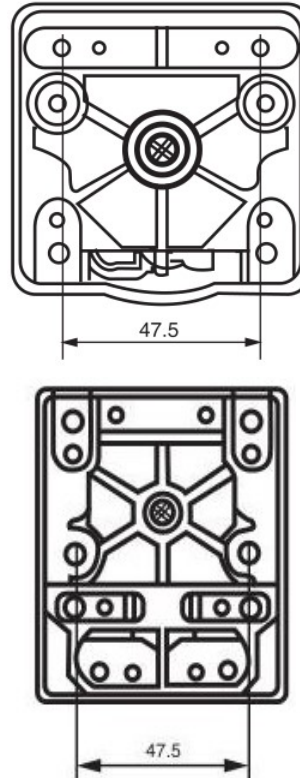
JRO	-	1	12	D	80
Type	Contact form	Coil voltage	Coil source	Contact capacity	
JRO	1 pole	DC:12~220V	D:DC	80A	
JQX-62F	2 poles	AC:12~380V	A:AC	100A 120A	

OUTLINE DIMENSIONS, WIRING DIAGRAM AND LAYOUT (Unit: mm)

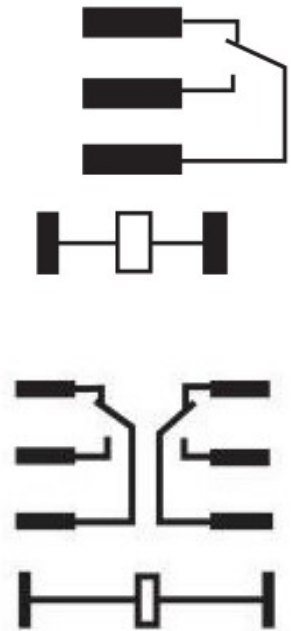
Outline Dimensions



Layout
(Bottom view)



Wiring Diagram
(Bottom View)



$\leq 5\text{mm}$, Tolerance should be $\pm 0.3\text{mm}$; outline dimension $> 5\text{mm}$, tolerance should be $\pm 0.4\text{mm}$.

2) The tolerance without indicating for PCB layout is always $\pm 0.1\text{mm}$