
特点 Features:

- 触点容量: 30A触点切换能力
Contact switching capability: 30A.
- 可并联电阻或二极管
Resistor or diode paralleled type available.
- 高防震, 防冲击能力
Highly shockproof and anti-impact performance

触点参数 CONTACT DATA

型号	Model	YQ503
触点形式	Contact Arrangement	1A、1C
接触电阻	Contact Resistance	50mΩ Max.
触点材料	Contact Material	银合金 Silver Alloy
额定负载(阻性)	Contact Rating (Res.Load)	30A 14VDC
最大切换电流	Max. Switching Current	30A
最大切换电压	Max. Switching Voltage	30VDC
最大切换功率	Max. Switching Power	420W
机械寿命	Mechanical endurance	1x10 ⁷ 次 OPS
电气寿命	Electrical endurance	1x10 ⁵ 次 OPS

性能参数 CHARACTERISTICS

吸合时间(额定电压下)	Operate Time (at nomi.volt.)	10ms Max.
释放时间(不带二极管)	Release Time (without diode)	5ms Max.
绝缘电阻	Insulation Resistance	100MΩ Min.(500VDC)
介电耐压	Dielectric Strength	触点与触点间 Between Open Contacts : 750VAC, 50/60Hz 1 min.
		触点与线圈间 Between Coil & Contacts: 750VAC, 50/60Hz 1 min.
抗振性	Vibration resistance	误动作 Functional: 10~55Hz 双振幅 1.5mm (DA)
		耐久 Destructive: 10~55Hz 双振幅 1.5mm (DA)
抗冲击	Shock resistance	误动作 Functional: 10G Min.
		耐久 Destructive: 100G Min.
环境温度	Ambient Temperature	-40°C~+125°C (不冷凝 No condensation)
重量	Unit Weight	约 Approx. 18g

线圈参数 COIL DATA (at 23°C)

额定电压 Rated voltage (VDC)	额定电流 Rated current ±10%(mA)	线圈电阻 Coil resistance ±10%(Ω)	并联电阻 Parallel resistance (Ω)	等效电阻 Equivalent resistance (Ω)	最大连续外加电压 Max allowable voltage VDC (Max.)	吸合电压 Operate voltage VDC (Max.)	释放电压 Release voltage VDC (Min.)	额定功率 Rated coil power (W)
12	133.3	90.0			额定电压的 of rated voltage 150 %	额定电压的 of rated voltage 70 %	额定电压的 of rated voltage 10 %	约 approx. 1.6/1.8
24	66.7	360.0						
12	150.9	90.0	680.0	79.5				
24	75.6	360.0	2,700	317.5				
12	109.1	110.0			额定电压的 of rated voltage 150 %	额定电压的 of rated voltage 70 %	额定电压的 of rated voltage 10 %	约 approx. 1.3/1.4
24	53.9	445.0						
12	121.2	110.0	1,000	99.0				

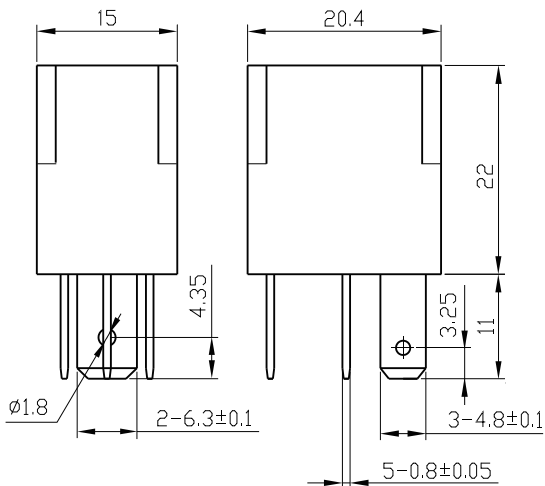
订货标记示例 ORDERING INFORMATION

YQ503	-S	-1	12	D	M	R	
附加电路	Accessory Form :	无-不带, D-带二级管, R-带电阻 Nil-Without accessory, D-With diode, R-With resistor					
触点形式	Contact form :	无-转换, M-常开 Nil-Form C, M-Form A					
线圈功耗	Coil power :	D-1.6 W/1.8W; L-1.3W/1.4W					
线圈规格	Coil voltage :	12,24 (VDC)					
触点组数	Number of poles :	1-1组 1-1Group					
封装形式	Protective construction :	S-塑封式 S-Flux proofed					
基本型号	Type designation :	YQ503					

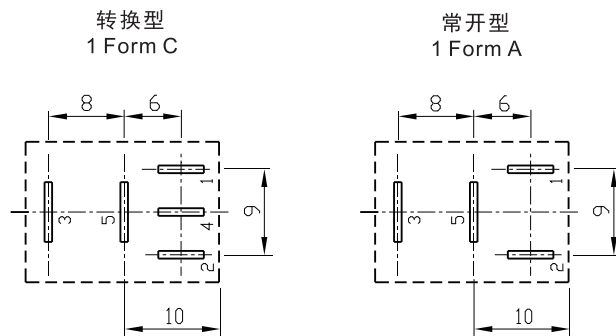
外形尺寸、接线图、安装孔位图 (单位: mm)

OUTLINE DIMENSIONS, WIRING DIAGRAM AND PCB LAYOUT (Unit: mm)

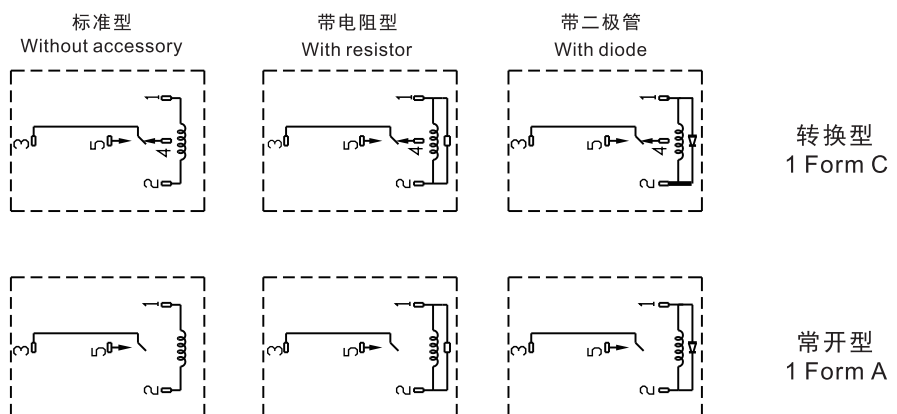
外形尺寸
Outline Dimensions



安装孔位图 (底视图)
PCB Layout (Bottom View)



接线图 (底视图)
Wiring Diagram (Bottom View)



注 Remark :

- 1.未标注尺寸公差 Unmarked dimensional tolerance
≤1mm: ±0.2mm ; (1~5)mm: ±0.3mm ; ≥5mm: ±0.4mm.
- 2.安装孔尺寸公差: ±0.1mm.
The tolerance of PCB layout is always: ±0.1mm.
- 3.引出脚尺寸为预焊前尺寸。
Extended terminal dimension is dimension before soldering.