

Push Switch

YSP-2213 Dip TYPE



Feature

8.5mm x 8.5mm x 14.0 mm outer dimension.
Direct mounted on PC board type.

Applications

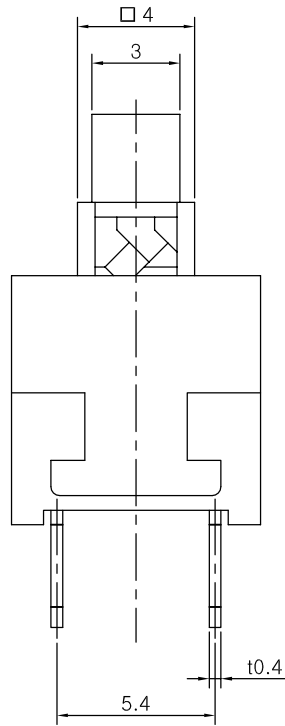
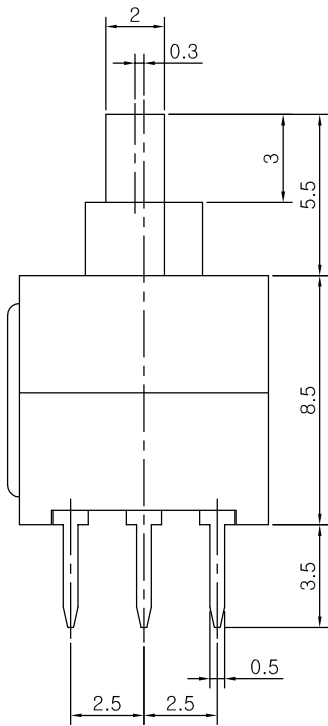
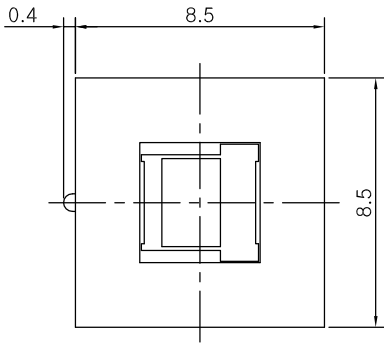
For operating various electronic devices such as audio devices, communication devices, portable devices, etc.

Specifications

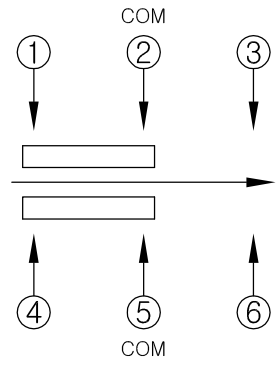
Item	Rating	Stroke	Contact Resistance	Circuit	Timing	Operating Mode	Operating Force	Operating Life
YSP-2213S	DC 30V 0.1A MAX	Full : 2.5 mm Lock : 1.5 mm	30mΩ MAX	2C-2P	Non-shorting	Self-lock	200 ± 80gf	10,000 Cycle
YSP-2213N	DC 30V 0.1A MAX	Full : 2.5 mm	30mΩ MAX	2C-2P	Non-shorting	Non-lock	250 ± 80gf	10,000 Cycle

Dimensions

Dimensions



CIRCUIT DIAGRAM



PCB MOUNTING HOLE DIMENSIONS

