

# Push Switch

## YSP-2213A Dip TYPE



### Feature

8.5mm x 8.5mm x 15.0 mm outer dimension.  
Direct mounted on PC board type.

### Applications

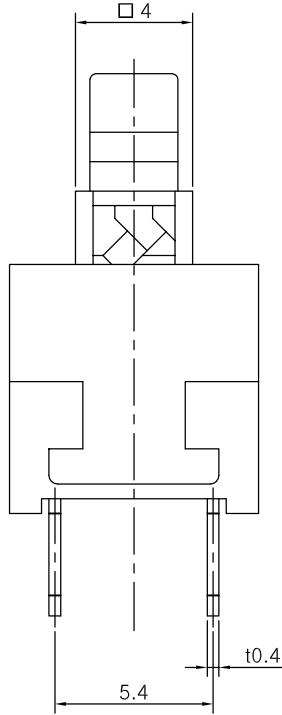
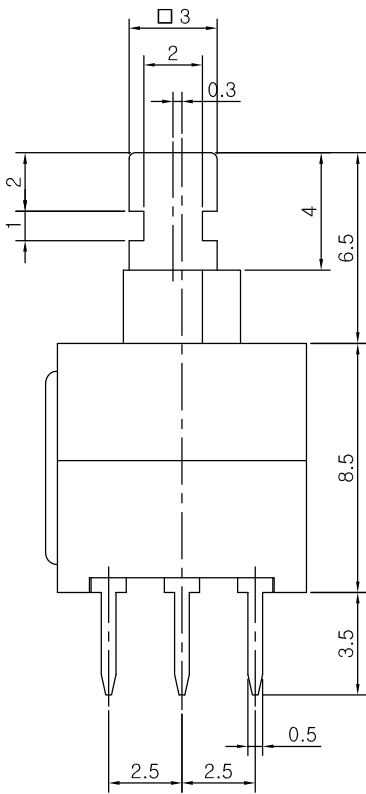
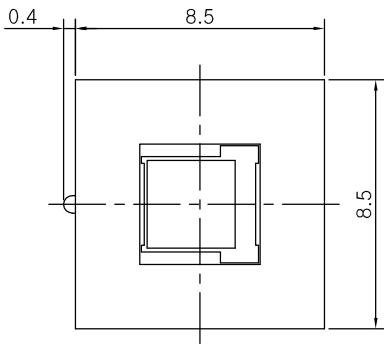
For operating various electronic devices such as audio devices, communication devices, portable devices, etc.

### Specifications

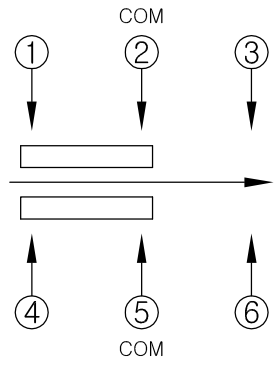
Item	Rating	Stroke	Contact Resistance	Circuit	Timing	Operating Mode	Operating Force	Operating Life
YSP-2213SA	DC 30V 0.1A MAX	Full : 2.5 mm Lock : 1.5 mm	30mΩ MAX	2C-2P	Non-shorting	Self-lock	200 ± 80gf	10,000 Cycle
YSP-2213NA	DC 30V 0.1A MAX	Full : 2.5 mm	30mΩ MAX	2C-2P	Non-shorting	Non-lock	250 ± 80gf	10,000 Cycle

### Dimensions

# Dimensions



## CIRCUIT DIAGRAM



## PCB MOUNTING HOLE DIMENSIONS

