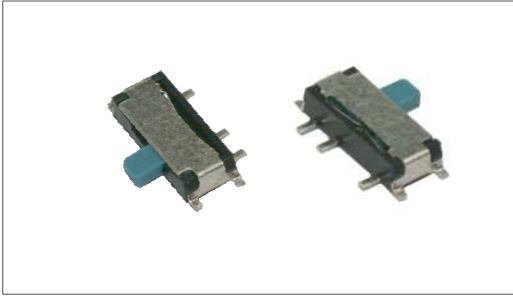


Slide Switch

YSS-1207 SMD Type



Feature

1.5mm-travel
Reflow solderable type.

Applications

For operating various compact electronics devices like; mobile-phone, communication device, requiring high density mounting.

Switches for other machines that requires mode changing activity.

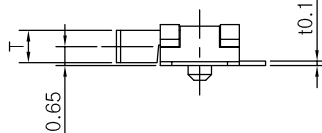
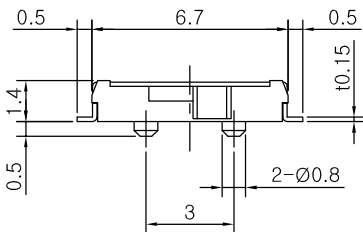
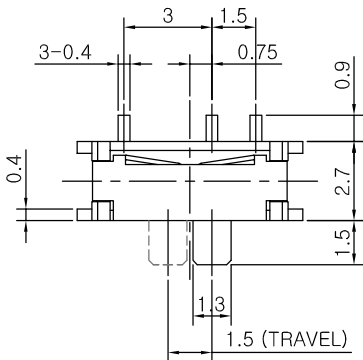
Specifications

Item	Rating	Travel	Contact Resistance	Circuit	Timing	Operating Force	Operating Life
Value	DC 4V 0.3A MAX	1.5 mm	70mΩ MAX	1C-2P	Non-shorting	150 ± 100gf	10,000 Cycle

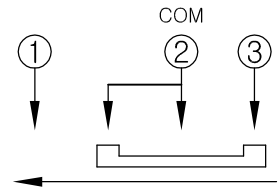
Dimensions

Slider Size (T)

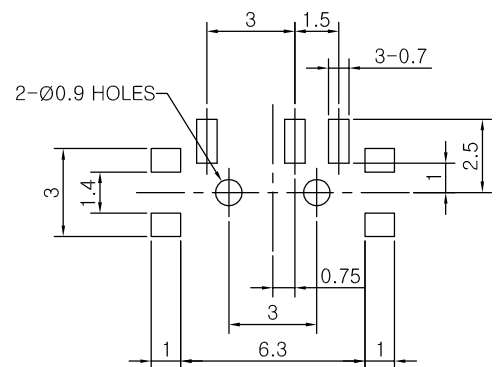
TAG	(Default)	by order	by order		
Size (mm)	1.1	0.8	0.4		



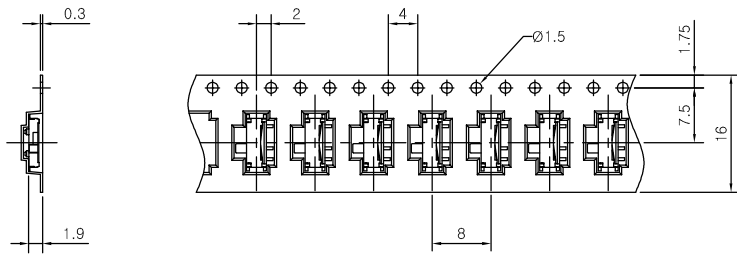
CIRCUIT DIAGRAM



PCB MOUNTING HOLE DIMENSIONS



REEL POCKET



1. General Tolerance : 0.1mm
2. Angle for pocket side : 5°
3. Pocket Material : Plastic
4. Packing quantity : 3,000 PCS
5. Reel Diameter : 330mm