

Tact Switch

YST-1101V Bracket Type



Feature

Snap-in type, which can be directly mounted on PC board.

Available operating forces : 180gf, 250gf

Applications

For various operation in digitalized devices.

For potable audio, mobile phones, personal digital assistants and notebook PCs.

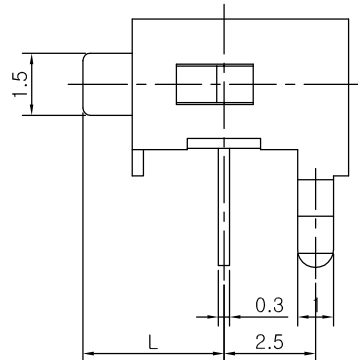
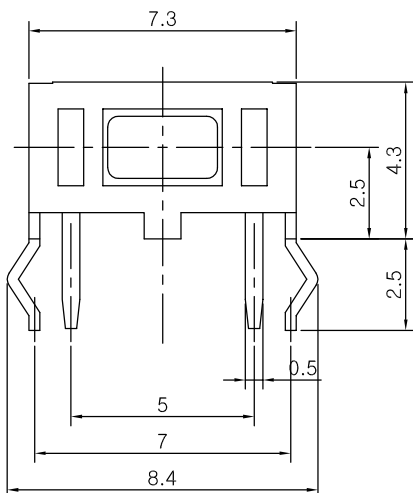
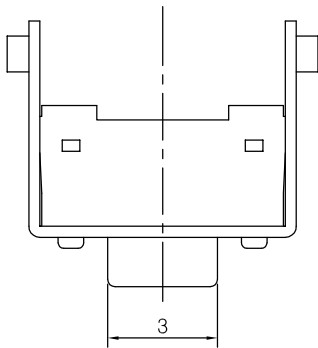
Specifications

Item	Rating	Travel	Contact Resistance	Bounce	Operating Force	Operating Life
Value	DC 12V 50mA MAX	0.25 ± 0.1mm	100mΩ MAX	10m sec MAX	180 ± 50gf	50,000 Cycle

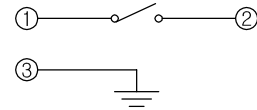
Dimensions

Height (L)

TAG	(Blank)	A			
Value (mm)	4.3	5.0			



CIRCUIT DIAGRAM



PCB MOUNTING HOLE DIMENSIONS

