

# Tact Switch

## YST-1101Z SMD Type



### Feature

Reflow solderable type of YST-1101.

Available operating forces : 180gf, 250gf

### Applications

For various operation in digitalized devices.

For portable audio, mobile phones, personal digital assistants and notebook PCs.

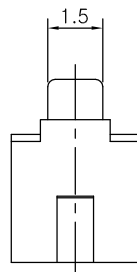
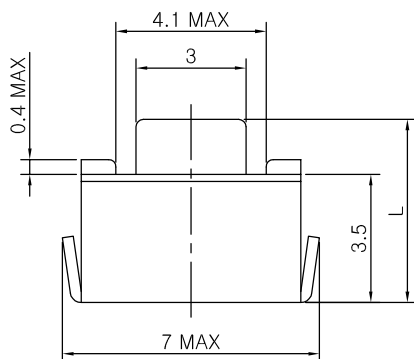
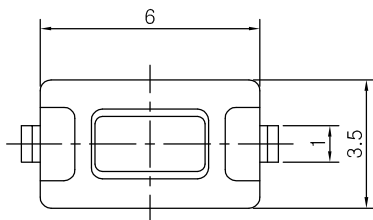
### Specifications

Item	Rating	Travel	Contact Resistance	Bounce	Operating Force	Operating Life
Value	DC 12V 50mA MAX	0.25 ± 0.1mm	100mΩ MAX	10m sec MAX	180 ± 50gf	50,000 Cycle

### Dimensions

#### Height (L)

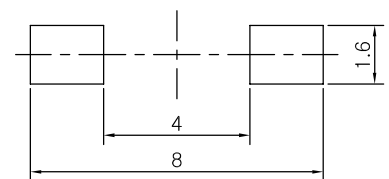
TAG	(Blank)	A			
Value (mm)	4.3	5.0			



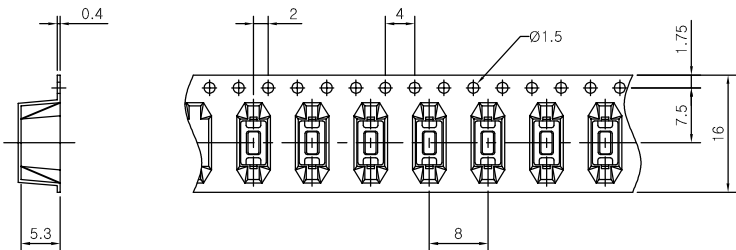
#### CIRCUIT DIAGRAM



#### PCB MOUNTING HOLE DIMENSIONS



# REEL POCKET



- 1. General Tolerance : 0.1mm
- 2. Angle for pocket side : 5°
- 3. Pocket Material : Plastic
- 4. Packing quantity : 1,500 PCS
- 5. Reel Diameter : 330mm