

Tact Switch

YST-1102ST SMD Type



Feature

6mm x 6mm outer dimension suites high-density mounting.
Reflow solderable.

Available operating forces : 160gf, 250gf

Applications

For various operation in electronic devices such as audio equipment, office devices, communication devices, TVs, video recorders, automotive sets, etc.

Specifications

Item	Rating	Travel	Contact Resistance	Bounce	Operating Force	Operating Life
Value	DC 12V 50mA MAX	0.25 ± 0.1mm	100mΩ MAX	10m sec MAX	160 ± 50gf	80,000 Cycle

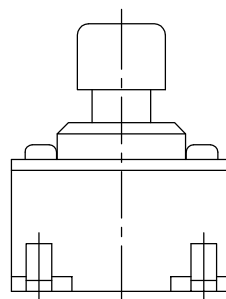
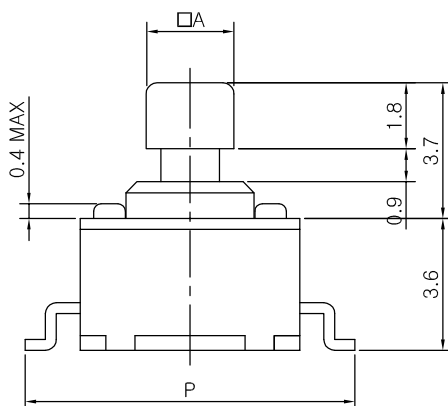
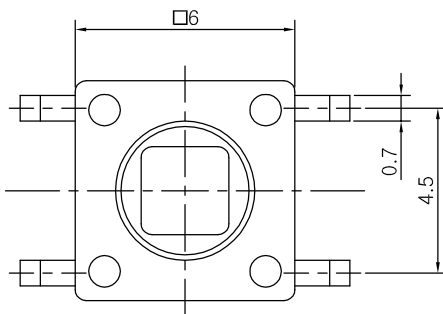
Dimensions

Height (L)

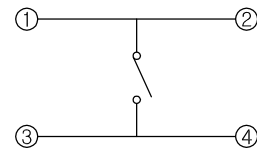
TAG	T	TA			
Value (mm)	2.4	2.8			

Width (P)

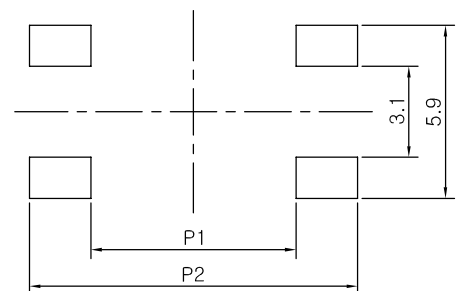
	(Default)	by order	by order		
Value (mm)	9.0	8.0	10.0		



CIRCUIT DIAGRAM

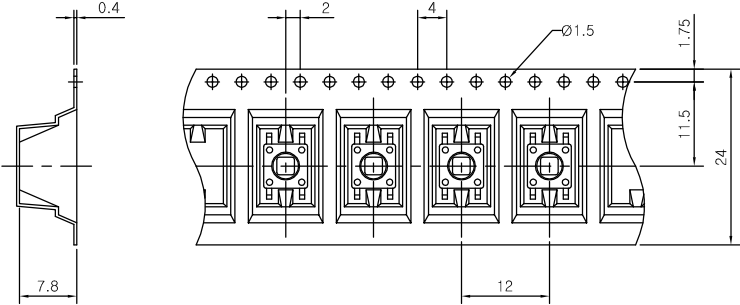


PCB MOUNTING HOLE DIMENSIONS



P (mm)	P1 (mm)	P2 (mm)
8.0	6.0	9.2
9.0	6.4	10.2
10.0	6.4	11.2

REEL POCKET



- 1. General Tolerance : 0.1mm
- 2. Angle for pocket side : 5°
- 3. Pocket Material : Plastic
- 4. Packing quantity : 600 PCS
- 5. Reel Diameter : 330mm