

Tact Switch

YST-1102T Dip Type



Feature

6mm x 6mm outer dimension suites directly mounted on PC board.

Available operating forces : 160gf, 250gf

Applications

For various operation in audio equipment, office devices, communication devices, measuring devices, TVs and VCRs.

Specifications

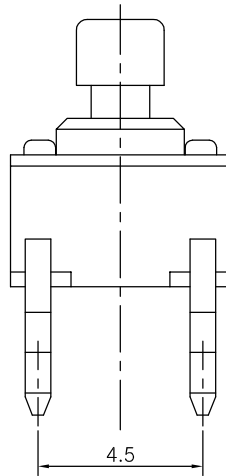
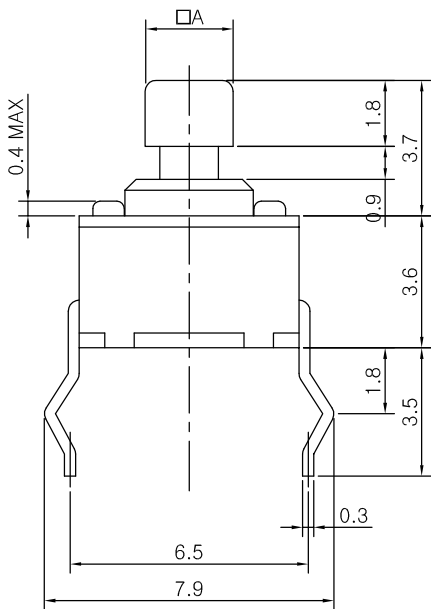
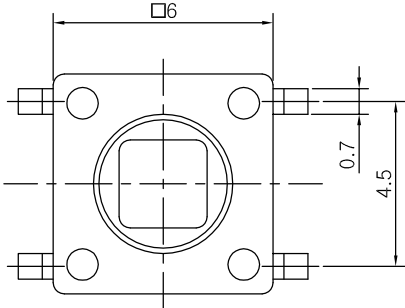
Item	Rating	Travel	Contact Resistance	Bounce	Operating Force	Operating Life
Value	DC 12V 50mA MAX	0.25 ± 0.1mm	100mΩ MAX	10m sec MAX	160 ± 50gf	80,000 Cycle

Dimensions

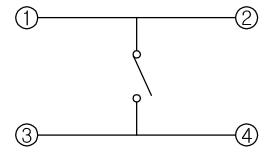
Dimensions

Height (L)

TAG	T	TA			
Value (mm)	2.4	2.8			



CIRCUIT DIAGRAM



PCB MOUNTING HOLE DIMENSIONS

