

Tact Switch

YST-1103S SMD Type



Feature

12mm x 12mm outer dimension. reflow solderable.

Available operating forces : 160gf, 250gf

Applications

It has clearest contact feeling and enough size.

YST-1103 satisfy needs of broad operating area; for various industrial devices and home appliances.

Specifications

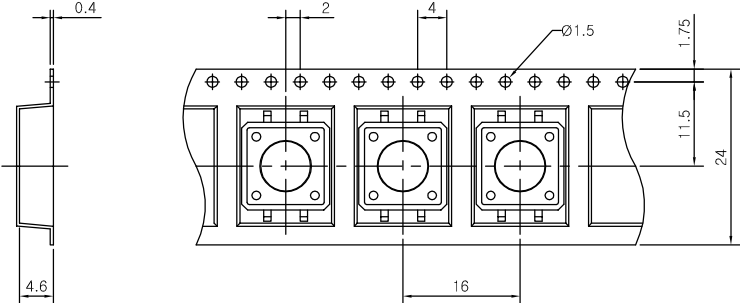
Item	Rating	Travel	Contact Resistance	Bounce	Operating Force	Operating Life
Value	DC 12V 50mA MAX	0.3 ± 0.1mm	100mΩ MAX	10m sec MAX	160 ± 50gf	100,000 Cycle

Dimensions

CIRCUIT DIAGRAM

PCB MOUNTING HOLE DIMENSIONS

REEL POCKET



- 1. General Tolerance : 0.1mm
- 2. Angle for pocket side : 5°
- 3. Pocket Material : Plastic
- 4. Packing quantity : 800 PCS
- 5. Reel Diameter : 330mm