

# Tact Switch

## YST-1114E SMD Type



### Feature

Horizontal type capable of operating in the direction horizontal to the PC board.  
Reflow solderable.

Available operating forces : 180gf, 250gf

### Applications

For operating various compact electronics devices like; mobile-phone, communication device, requiring high density mounting.

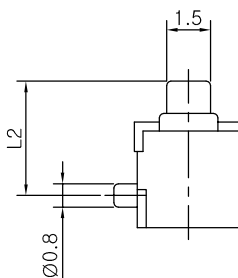
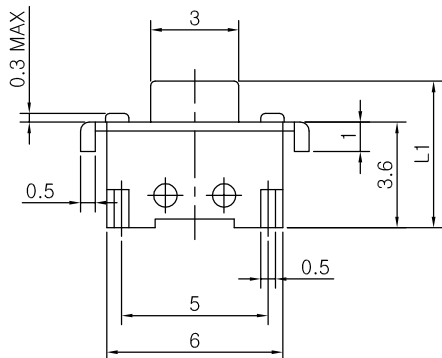
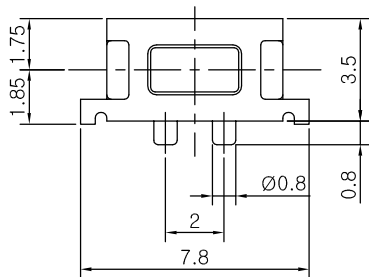
### Specifications

Item	Rating	Travel	Contact Resistance	Bounce	Operating Force	Operating Life
Value	DC 12V 50mA MAX	0.25 ± 0.1mm	100mΩ MAX	10m sec MAX	180 ± 50gf	50,000 Cycle

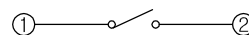
### Dimensions

#### Strange

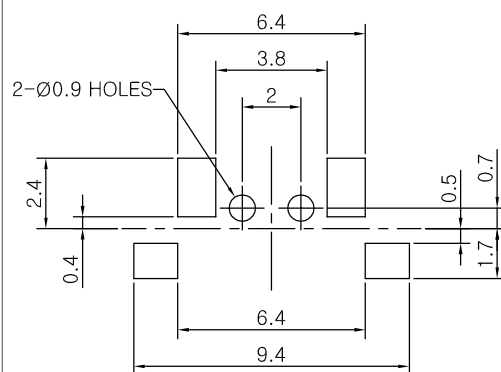
TAG	(Blank)	A			
L1 (mm)	4.3	5.0			
L2 (mm)	3.2	3.9			



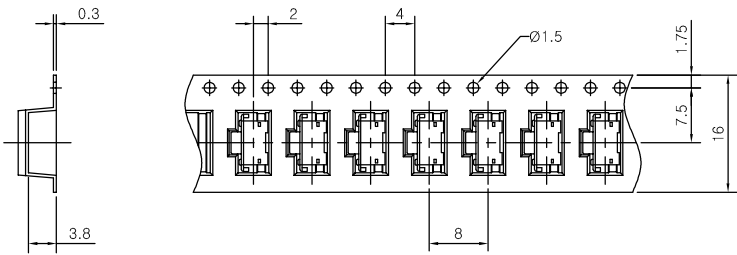
#### CIRCUIT DIAGRAM



#### PCB MOUNTING HOLE DIMENSIONS



# REEL POCKET



- 1. General Tolerance : 0.1mm
- 2. Angle for pocket side : 5°
- 3. Pocket Material : Plastic
- 4. Packing quantity : 2,000 PCS
- 5. Reel Diameter : 330mm