

Tact Switch

YST-1503 SMD Type



Feature

6.1mm x 3.7mm x 2.5mm outer dimension.
Reflow solderable and dust prevented structure.

Available operating forces : 180gf, 250gf

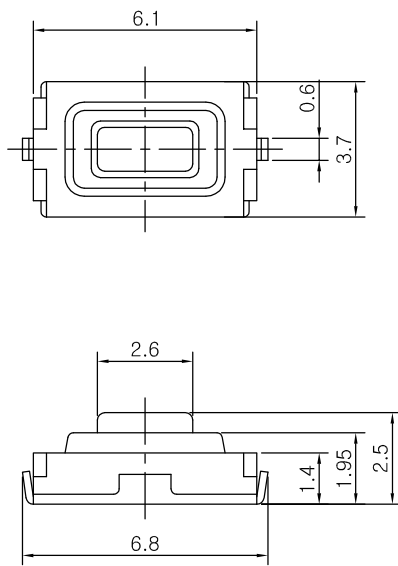
Applications

For operating various electronic devices such as audio devices, communication devices, measuring instruments, etc.

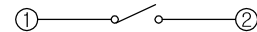
Specifications

Item	Rating	Travel	Contact Resistance	Bounce	Operating Force	Operating Life
Value	DC 12V 50mA MAX	0.25 ± 0.1mm	100mΩ MAX	10m sec MAX	180 ± 50gf	50,000 Cycle

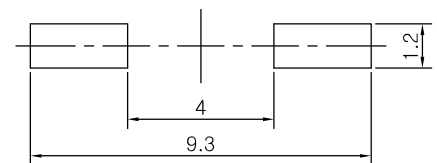
Dimensions



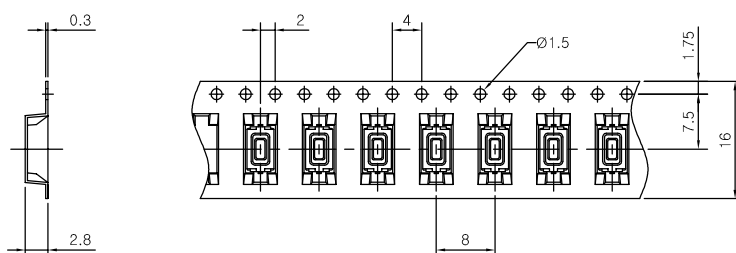
CIRCUIT DIAGRAM



PCB MOUNTING HOLE DIMENSIONS



REEL POCKET



1. General Tolerance : 0.3mm
2. Angle for pocket side : 5°
3. Pocket Material : Plastic
4. Packing quantity : 3,000 PCS
5. Reel Diameter : 330mm