

# Tact Switch

## YST-1505 SMD Type



### Feature

5mm x 5mm x 1.5mm outer dimension.  
Reflow solderable and dust prevented structure.

Available operating forces : 180gf, 250gf

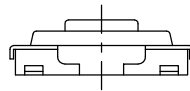
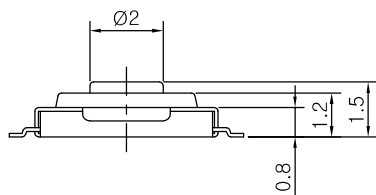
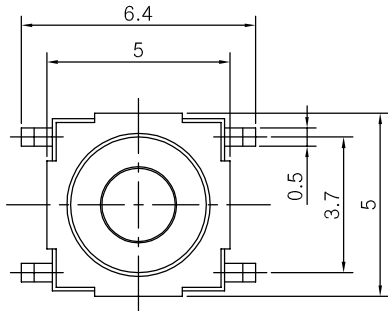
### Applications

For operating various electronic devices such as audio devices, communication devices, measuring instruments, etc.

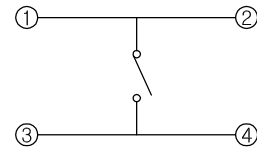
### Specifications

Item	Rating	Travel	Contact Resistance	Bounce	Operating Force	Operating Life
Value	DC 12V 50mA MAX	0.25 ± 0.1mm	100mΩ MAX	10m sec MAX	180 ± 50gf	200,000 Cycle

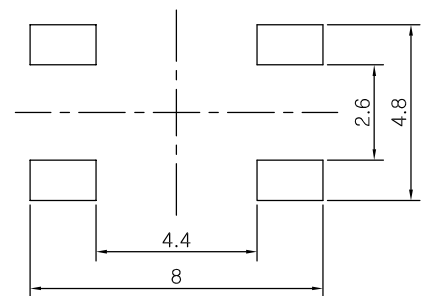
### Dimensions



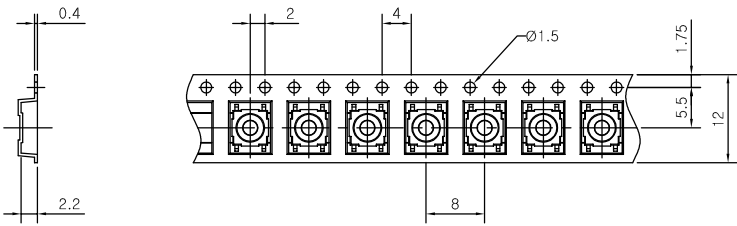
### CIRCUIT DIAGRAM



### PCB MOUNTING HOLE DIMENSIONS



# REEL POCKET



- 1. General Tolerance : 0.1mm
- 2. Angle for pocket side : 5°
- 3. Pocket Material : Plastic
- 4. Packing quantity : 4,000 PCS
- 5. Reel Diameter : 330mm